



Product Overview

P-Series Acoustic Panel System®

The P-Series Acoustic Panel System® has been engineered for optimum sound absorption whilst coupling an innovative & contemporary installation system.

Parratech's P-Range of Acoustic Wall Lining is a revolutionary engineered material that consists of a thin, tough, unique and acoustically tuned facing material combined with an environmentally friendly polyester wool backing.

The facing material that breaks the soundwave down into little components that then traps and dissipates the soundwave within the material or air space behind it.

This is achieved because as the sound wave impacts the facing it responds by vibrating the makeup fibers

millions of times per second resulting in the sound energy being converted into mechanical energy - the principal that noise is absorbed. This unique facing material is neither ignitable or flammable and is entirely suitable for a vast number of applications.



Parratech Environmental Control Pty Ltd

7 Bourke St, North Parramatta NSW 2151 | Tel: +61 2 9890 4425 | Fax: +61 2 9890 9743

Email: info@parratech.com.au | www.parratech.com.au

Complete Acoustic Solutions



Key Benefits

- Efficient and effective sound absorbing material for noise reduction in commercial and industrial environments
- High durability in hot, humid and damp conditions providing long-term stability and performance
- Excellent acoustic performance
- Optional waterproof facing. Water and fluid repellent for damp and/or all outdoor environments
- Light-weight and easy to handle
- Installation system is innovative, economical and straight forward

Typical Applications

- Plant Rooms
- Control / IT Rooms
- HVAC Rooms
- Generator / Compressor Enclosures
- Power Stations
- Data Centres
- Factories/Warehouses
- Airports
- Outdoor sound control walls



**Enviro
Friendly**

**Optional
Waterproof
Facing**

Fireproof

**Excellent
NRC Rating**

**Highly
Durable**

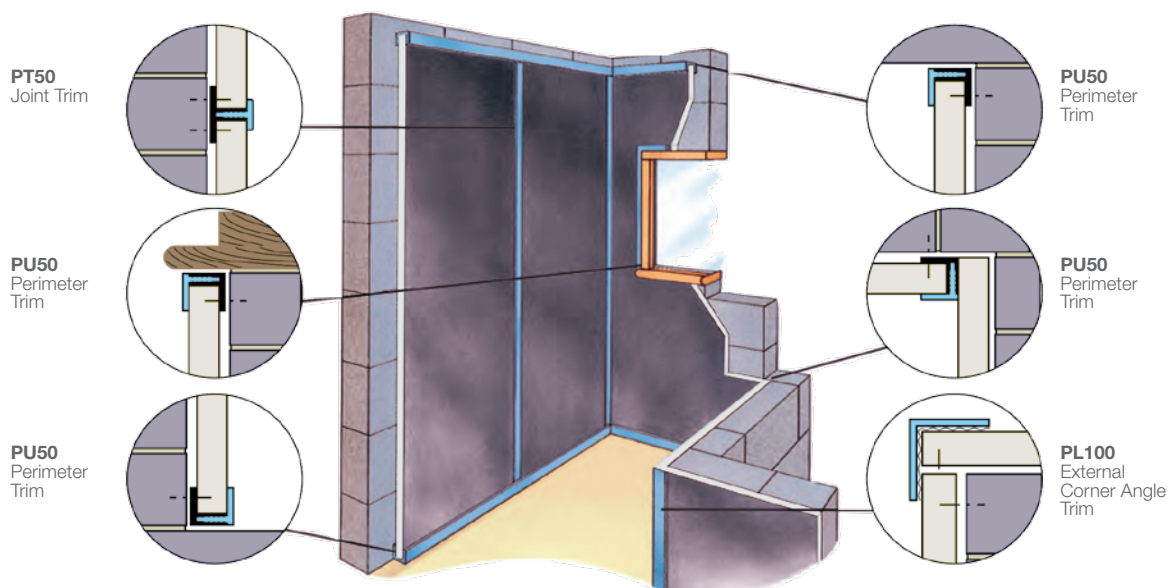
**Easy to
Install**



Installation & Fixing Guide

Perhaps one of the most impressive features with the P-Series Acoustic Panel System® is the simplicity of installation.

Custom designed by a team of innovative tradesman and technical staff who understand the restrictions of building sites, the complications of installations where access can be limited, the importance of high quality finishes & above all the significance of the functionality of the system.

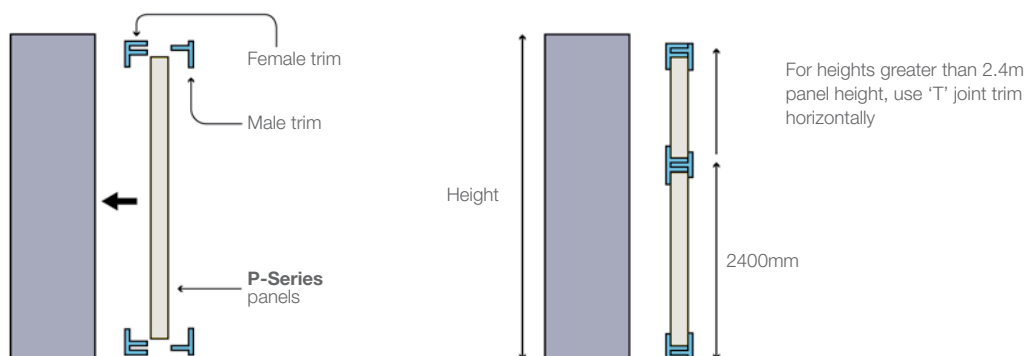


FIXING GUIDE

- A.** Screw fix UPVC female perimeter trim to top, bottom and end of walls.
- B.** Screw fix UPVC female 'T' joint trim vertically between top and bottom UPVC female perimeter trims, allowing for the P-Series panels width and height.

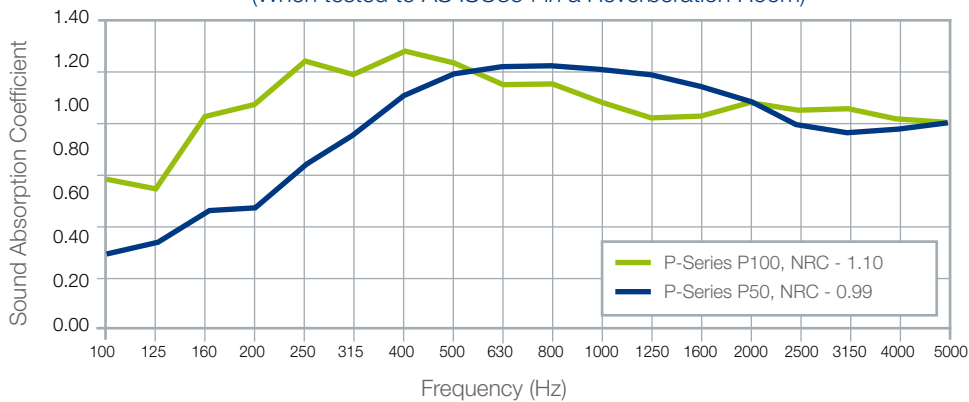
- C.** Cut and insert individual P-Series panels to fit between female perimeter and female 'T' joint trims. Push fit top and bottom male perimeter trims into female trims. Then neatly cut vertical male perimeter and vertical male 'T' joint trims to fit between the top and bottom perimeter trims and push fit together. Ensure that all trims are fully pushed in and located. On external corners, glue the PL100 angle trim as illustrated above.

Easy Fix Installation by using UPVC clip-in trims



Technical Specifications

Typical Sound Absorption Parratech P-Series Products
(When tested to AS ISO354 in a Reverberation Room)



Format	Panels
Application	Wall & Ceiling
Main material	100% polyester - wool
Fire rating – Panel	AS1530.2 Spread of Flame Index (0) Smoke Developed Index (0-1)
Noise Reduction Coefficient	P-Series P50, NRC - 0.99 P-Series P100, NRC - 1.10
Dimensions (l x w x d)	P-Series P50, 2400mm x 1200mm x 50mm P-Series P100, 2400mm x 1200mm x 100mm
Product code or Water Resistant (WR) product code	Parratech P-Series P50 or Parratech P-Series P100 Parratech P-Series P50(WR) or Parratech P-Series P100(WR)
Weight	32kg / m ³
Colour	Acoustic Panel; Black (BK), Grey (GR) or White (WH) UPVC Trims; Grey

A. General

1. The **P-Series** Acoustic Panel System should be installed in accordance with the manufacturer’s recommendations.
2. All necessary hardware and accessories for a complete project installation are to be supplied by the contractor/installer
3. Installation should not begin until all wet work, such as plastering, concrete, paint is completely dry.
4. The contractor/installer shall be responsible for the examination and acceptance of all surfaces and conditions prior to the panel installation.

B. Product

1. Install - **P-Series** Acoustic Panels System including Acoustic Panels UPVC fixing trims. (Refer installation and Fixing Guide to nominate product codes for UPVC trims).
2. Finish - **P-Series** Acoustic Panels to be in..... (Colour).



Parratech Environmental Control Pty Ltd
7 Bourke Street, North Parramatta NSW 2151
Tel: +61 2 9890 4425 | Fax: +61 2 9890 9743
Email: info@parratech.com.au | www.parratech.com.au

